



**WIL-MAR
PRODUCTS, INC.**

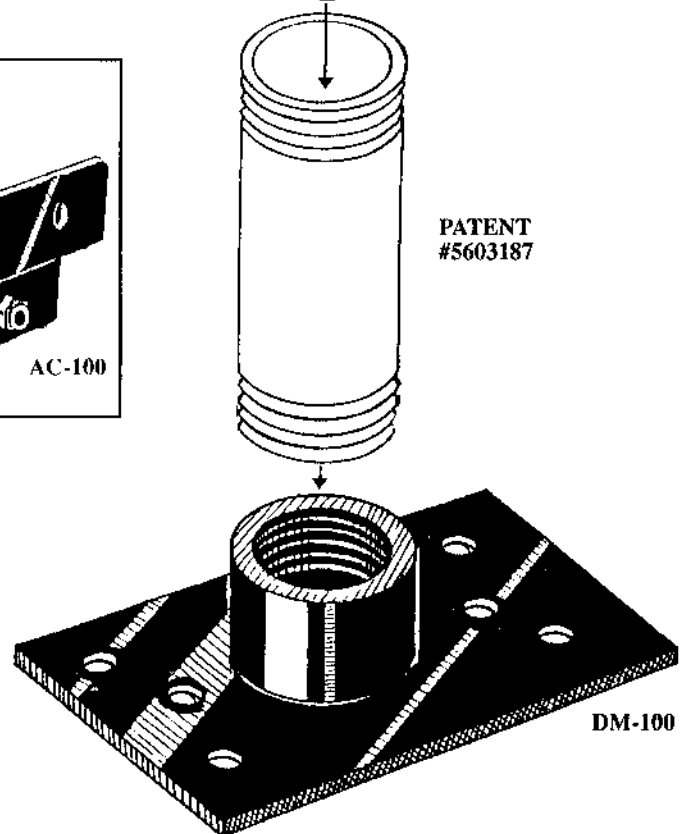
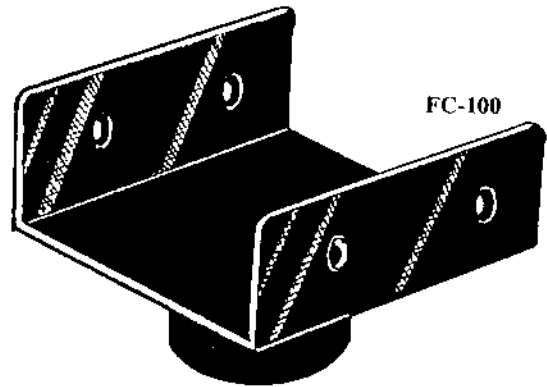
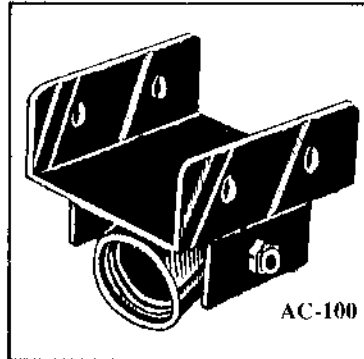
San Jose, CA

www.wilmarproducts.com • E-mail: sales@wilmarproducts.com
Telephone: 408-532-6400 • 1-800-232-2911 FAX: 888-539-0387

THE EQUIPMENT & SOLAR MOUNTING SYSTEM

FEATURES

- Provides a waterproof/
watertight system
- Easy to install on flat or
pitched roofs
- Installs on all roofs, i.e.,
composition, metal, tile,
shake, slate, single ply and built-up
- Eliminates need for sleepers on the roof
- Saves time and money on installation



The system consists of two parts:

EQUIPMENT CHANNEL

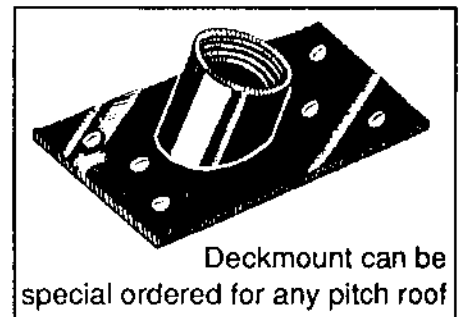
Fixed (FC-100)

Adjustable (AC-100)

- Attaches to a threaded 1" pipe nipple
- Adjustable channel meets all angles
- Channel accepts 2" x 4" or 4" x 4" for equipment mounting

DECKMOUNT (DM-100)

- Bolts to roof deck
- Accepts threaded 1" pipe nipple of any length to meet application
- Flashed and sealed as any pipe penetration from roof



Deckmount can be
special ordered for any pitch roof

THE EQUIPMENT & SOLAR MOUNTING SYSTEM

APPLICATIONS

Solar Systems

HVAC

Swamp Coolers

Wind / View Screens

Walkways

Signs

Decks

**An all purpose metal mounting system designed to
keep roof mounted equipment & solar panels off the roof...**

The unique design of the mounting system allows for easy installation on flat or pitched roofs and can be used for either residential or commercial applications. It provides a water tight penetration and eliminates fastening through the roof and the use of sleepers. Using the mounting system allows the equipment to be any height or angle on the roof. As a result, water and debris will not be impeded.



**WIL-MAR
PRODUCTS, INC.**

San Jose, CA